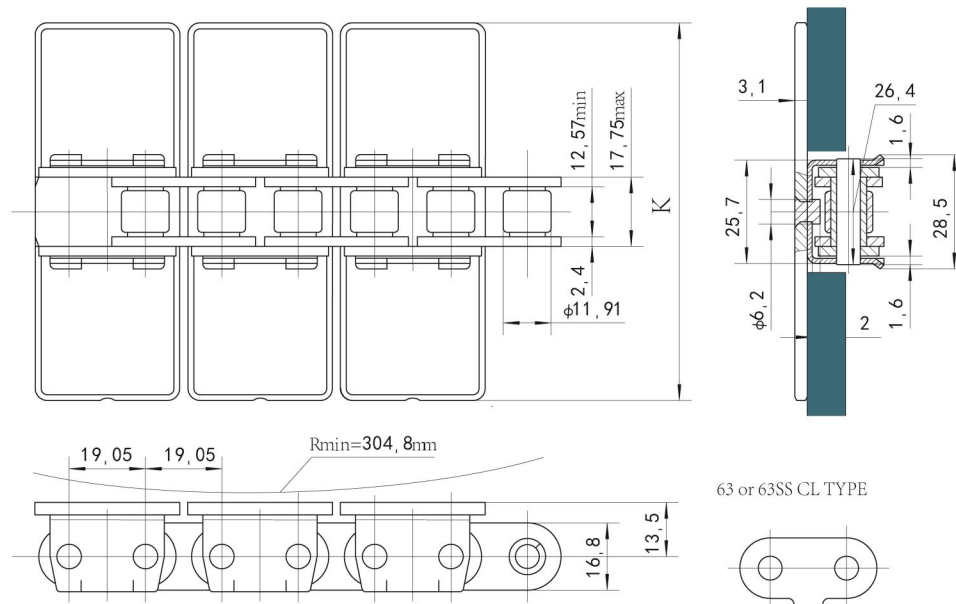


1864 直输顶板链 1864 Straight running plate top chains



链号 Chain No.	材料 material		宽度 (Width) K		最小抗拉强度 Ultimate Tensile Strength Qmin		重量 Approximate weight	
	基型链 Base chain	顶板 Top plate	mm	inch	kN	lbf	kg/m	lb/ft
1864-K325	碳钢 Steel	碳钢 Steel	82.5	3 1/4	31.1	6,997	3.85	2.58
1864-K450			114.3	4 1/2			4.5	3.02
1864-K600			152.4	6			5.83	3.91
1864-K750			190.5	7 1/2			6.2	4.16
1864A-K325	碳钢 Steel	不锈钢 Stainless Steel	82.5	3 1/4	31.1	6,997	3.85	2.58
1864A-K450			114.3	4 1/2			4.5	3.02
1864A-K600			152.4	6			5.83	3.91
1864A-K750			190.5	7 1/2			6.2	4.16
1864SS-K325	不锈钢 Stainless Steel	不锈钢 Stainless Steel	82.5	3 1/4	25.5	5,624	3.85	2.58
1864SS-K450			114.3	4 1/2			4.5	3.02
1864SS-K600			152.4	6			5.83	3.91
1864SS-K750			190.5	7 1/2			6.2	4.16

- 说明: 1. 基型链条为63或63SS;
2. 链条运行在60链轮上;
3. 链条的强度在室温下所得;
4. 供应时, 每条链条的标准长度为160pitch 10Ft (3.048m)

- Note: 1. The Base chain is 63 or 63SS
2. Chain runs on ANSI NO.60 sprockets
3. Chain strength is listed at room temperature
4. When supplied, the standard length of each chain is 160 pitch 10Ft (3.048m)