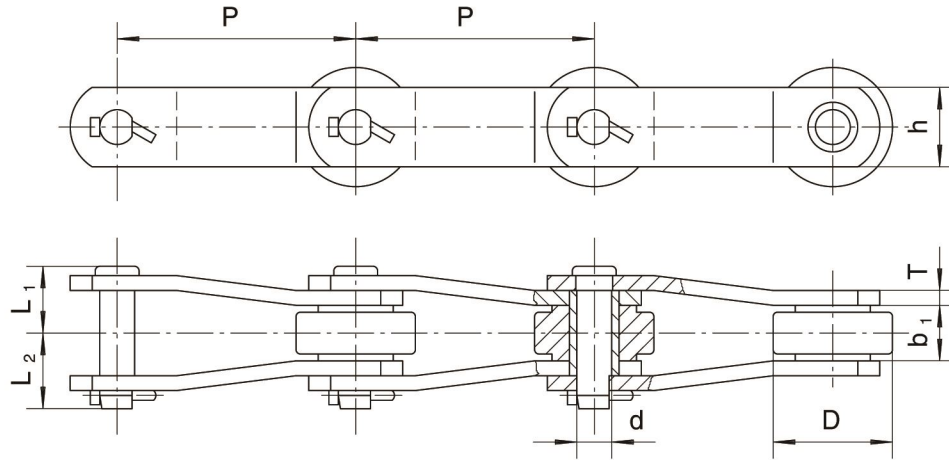
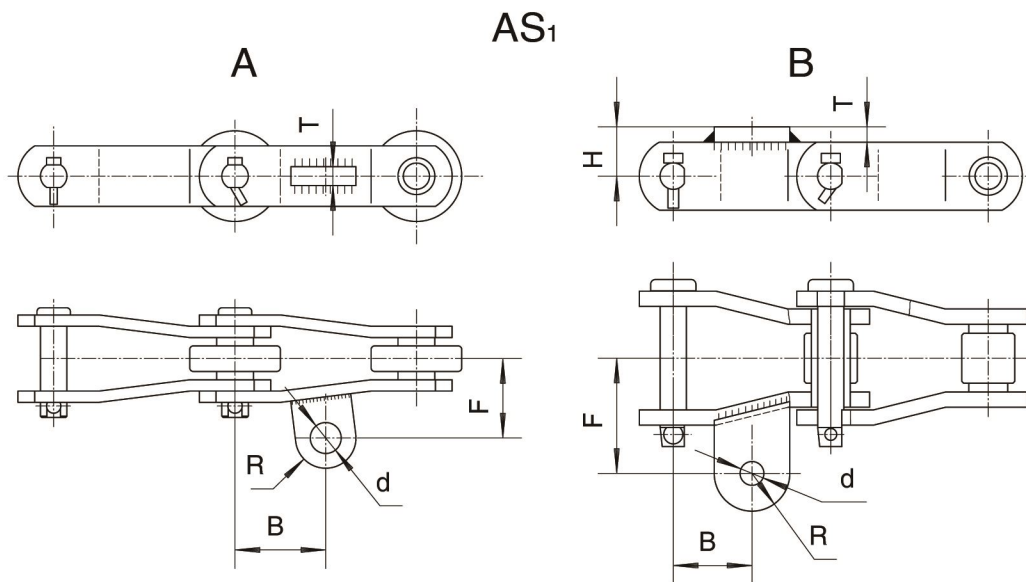


## 弯板型棕榈油链及附件 Palm Oil Chains with Bent Plate and Attachment



链号	节距	窄端内宽	滚子外径	销轴			链板		最小抗拉强度	每米重量
Chain No	Pitch	Inside Diameter	Roller Diameter	pin			plate		Ultimate Tensile Strength	Weight Per Meter
	P	b1(min)	D(max)	d	L1	L2	h	T	Fu(min)	q
	mm	mm	mm	mm	mm	mm	mm	mm	KN	Kg/m
B5029	66.17	28	22.23	11.1	31.7	35.1	28.6	6.4	122.8	5.41
B5234	152.4	34.9	76.2	22.3	43.9	53.4	50.8	9.5	355.6	17.93



附件号	链号	H	T	B	F	R	d	Type
	Chain No	mm	mm	mm	mm	mm	mm	
AS <sub>1</sub>	B5234	/	15	76.2	66.7	25.4	20.64	A
	B5029	20.7	6.4	33.08	48.4	15.875	10	B