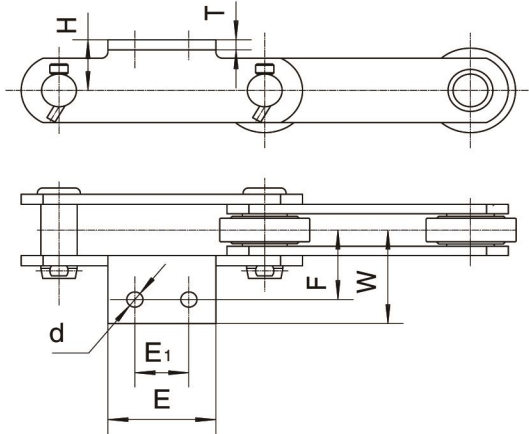
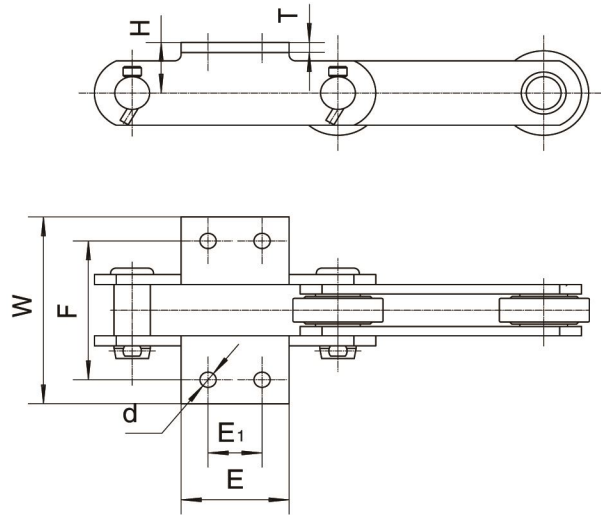


直板型棕榈油链附件 Palm Oil Chains Attachment with Straight Plate

A2 Attachment



K2 Attachment



Att.No	Chain No	H	E1	E2	d1	F	W	T
		mm	mm	mm	mm	mm	mm	mm
A2	PM90R	16	31.8	63.5	11	44.5	61.5	4.5
	PM94R	19.05	31.8	63.5	10.7	44.5	62	6.4
	KT818ER	19.05	31.8	63.5	10.7	44.5	62.5	5.1
	4 × 30000	38	31.8	56	12.3	54	78.5	5.1
	RF101001F5	32	60	100	13	41.8	66.8	5.5
	RF101001F4	32	60	100	13	61	86	5.5
	RF604R	19.05	50.8	90	12	50.5	67	6.4
	ES6P36	38	57.2	107	12.3	54	78.5	7.8
ES6P36HS	40	40	80	12	54.9	73.9	8	

Att.No	Chain No	H	E1	E2	d	F	W	T
		mm	mm	mm	mm	mm	mm	mm
K2	PM90R	16	31.8	63.5	11	89	123	4.5
	PM94R	19.1	31.8	63.5	10.7	89	124	6.4
	KT818EB	19.05	31.8	63.5	10.7	89	135	5.1
	4*30000	38	31.8	56	12.3	108	157	5.1
	RF604R	19.05	50.8	90	12	101	134	6.4
	ES6P36	38	57.2	107	12.3	108	157	7.8
	101005F1S	32	40	75	11	90	120	6