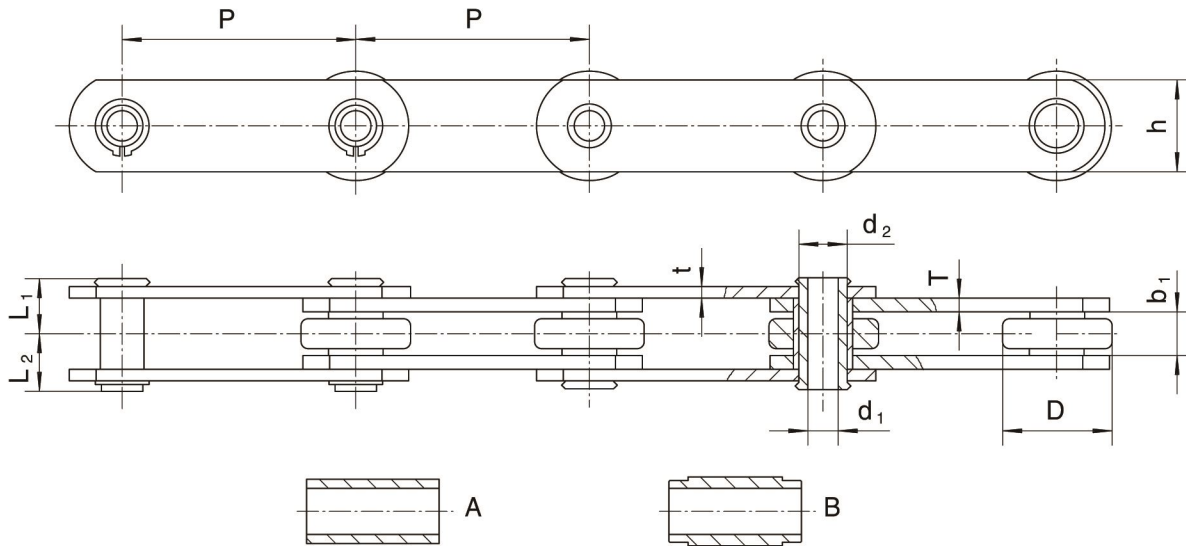


空心销轴型棕榈油链 Hollow Pin Type Palm Oil Chains



链号 Chain No	节距 Pitch	内节内宽 Width Between Inner Plates	滚子外径 Roller Diameter	销轴 Pin					链板 Plate		最小抗 拉强度 Ultimate Tensile Strength	每米 重量 Weight Per Meter	
				D(max)	d1	d2	L1	L2	Type	h			t/T
mm	mm	mm	mm	mm	mm	mm	Mm	mm	mm	KN	Kg/m		
4 × 15000HP	101.6	18.9	47.63	13.1	19.05	24.2	24.8	A	40	5/6	66.7	6.92	
4 × 21000HP	101.6	19.05	47.63	13.1	19.05	23	24	B	39.4	5.1	95	6.56	
RF4 × 21000HP	101.6	19.05	47.63	13.2	19.05	23.05	29.45	B	39.4	5.1	95	6.52	
4 × 30000HP	101.6	25.4	66.7	19.56	25.8	28.8	29.4	B	50.8	5.1/7.1	200	12.723	
6 × 35000HP	152.4	25.4	66.7	20.1	25.8	27.7	28.3	B	50.8	5.1/6	177.8	9.52	
6 × 36000HP	152.4	25.4	66.7	20.1	26.9	28.8	29.4	B	50.8	5.1/7.1	200	10.1	
IK6 × 36000HP	152.4	25.4	66.7	20.1	26.9	29.3	31.6	B	60.8	7.1/7.1	200	11	
RF6 × 36000HP	152.4	25.4	66.7	20.1	26.9	29.4	30	A	50.8	6.4/6.4	200	10.35	
6 × 36000HHP	152.4	25.4	66.7	20.1	26.9	30.8	31.6	B	50.8	6.4/7.8	220	11.06	
6 × 50000HP	152.4	25.4	66.7	20.24	26.9	31	31.8	B	50.8	6.4/8	220	11.1	
6 × 65000HP	152.4	25.4	66.7	20.24	28	32.6	33.4	B	50.8	8	288.9	11.763	
8 × 45000HP	203.2	38.1	88.9	22.85	30	40	44.2	A	61	8	280	17.27	