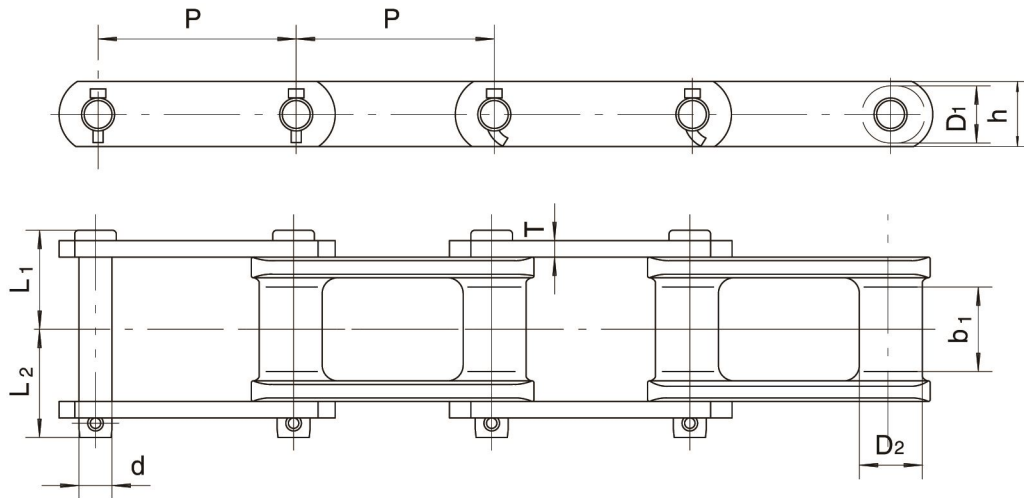
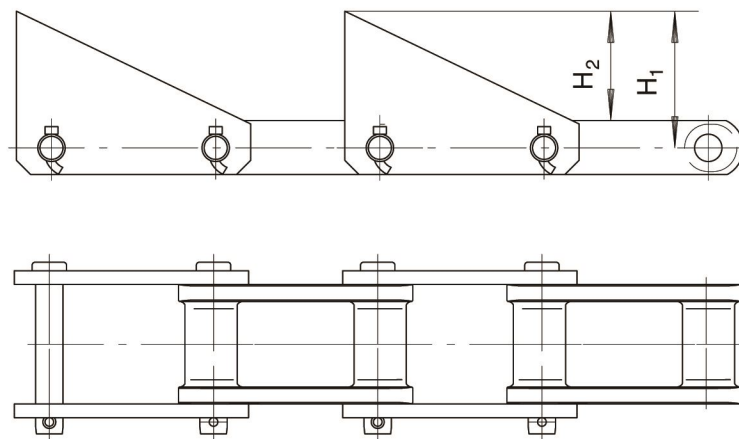


铸造糖机链及附件 Casting Type Sugar Mill Chains-Attachments



链号	节距	铸造链节				销轴			链板		最小抗拉强度	许用工作载荷	每米净重	
Chain No.	Pitch	Casting link				Pin			Plate		Ultimate tensile strength	Rated working load	Weight per meter	
		P	$b_1(\text{min})$	$b_2(\text{max})$	$D1(\text{max})$	$D2(\text{max})$	d	L_1	L_2	h	T	Q(min)	kN	q
		mm	mm	mm	mm	mm	mm	mm	mm	mm	mm	kN	kN	kg/m
C102B	101.6	44.45	72.14	25.4	30.18	15.88	52.5	58.6	38.1	9.5	122.2	18.7	11.16	
C111	120.9	57.15	85.73	31.75	41.28	19.05	60.3	63.5	44.45	9.5	160	26.67	14.58	
C110	152.4	44.45	73.03	36.5	36.53	15.88	53.5	57.63	38.1	9.5	122.2	18.7	9.67	
C132	152.4	73	111.5	43.7	48.5	25.4	75	90	50.8	12.7	267	44.45	21.49	



S1

Attachment No.	Chain No.	H_1	H_2
		mm	mm
S1	C102B	95.25	76.2
	C110	107.95	88.9
	C111	111.13	88.9
	C132	127	101.6